

TRACKMATE



TRACKMATE

Hilman TrackMate dollies are an excellent method for increasing productivity in assembly and manufacturing applications, where heavy loads are moved from station to station for various stages of build-up.

TRACKMATE



Dual flanged, self-guiding Dolly that is an ideal solution for frequent load moving in many assembly and production line operations. Suited for applications requiring repetitive straight-line load moves.

Low Profile. Self-Guided.

The rolls carry the full load during movement, while dual flanges guide along the outer edges of a flat bar steel track, to ensure proper alignment. Their low profile keeps the workplace safe and their low friction means a smoother move with less downtime.



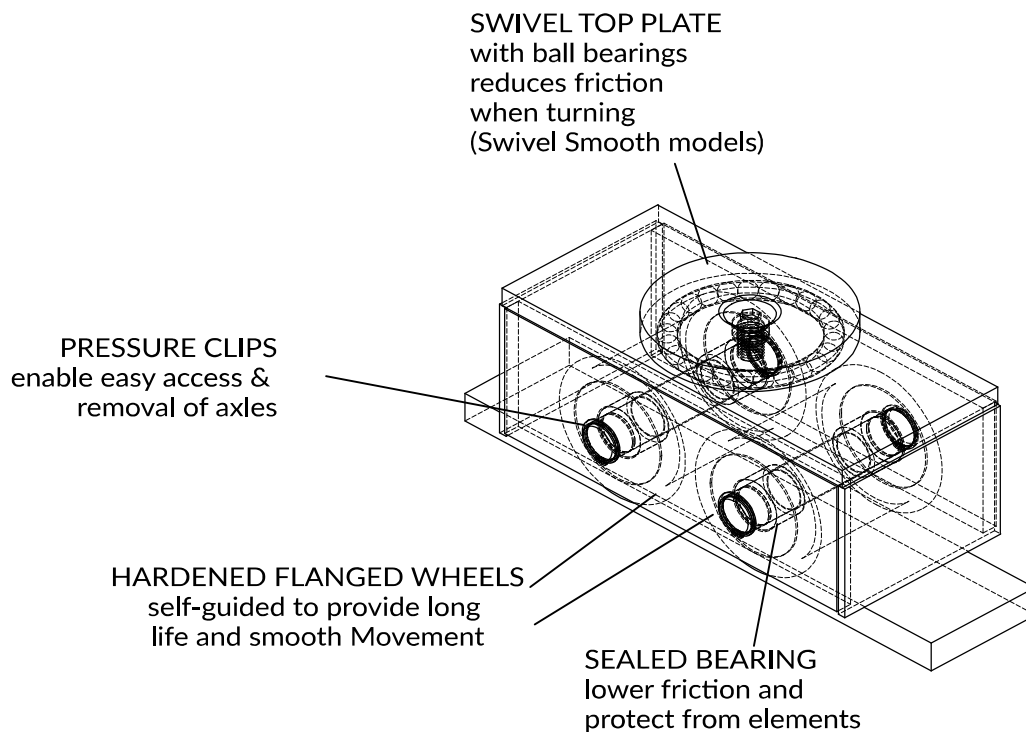
Custom Tops, Frames & Turntables

Dollies can be easily modified in any number of ways, including custom tops for mounting/fastening to the load, brush-wiper systems to clear debris from the track and custom shaped steel frames to suit your application requirements. Hilman can also design and supply the steel flat bar tracks, and track-turntables in case you need to make turn, for a complete system. Turntables can be integrated directly into an assembly line track system. The turntables are utilized to accommodate 90 degree turns in the path of production and potentially divert a module to an additional set of workstations. Manual and automated turntables are both available design options.



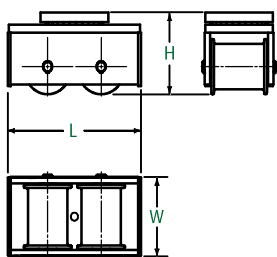
ADVANTAGES

With capacities up to 20-tons, standard TrackMate Dollies are offered in rectangular shape, with two types of tops; Swivel or Rigid.

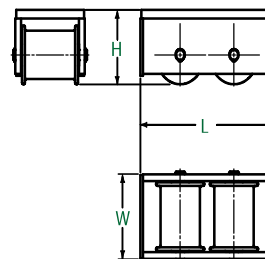


Specifications

TMS TrackMate Swivel Smooth Rectangle



TMR TrackMate Rigid Smooth Rectangle



| Swivel Style | | | | | |
|--------------|----------|----------------|----------------|-----------------|----------------|
| Product | Capacity | Height | Width | Length | Weight |
| 2.5-TMS | 2.5-tons | 4.53" / 115 mm | 6.13" / 156 mm | 9.31" / 237 mm | 29 lb / 13 kg |
| 5-TMS | 5-tons | 6.32" / 161 mm | 6.13" / 156 mm | 11.81" / 300 mm | 63 lb / 29 kg |
| 10-TMS | 10-tons | 6.82" / 174 mm | 6.13" / 156 mm | 13.31" / 338 mm | 76 lb / 34 kg |
| 20-TMS | 20-tons | 7.69" / 196 mm | 6.63" / 168 mm | 15.56" / 395 mm | 119 lb / 54 kg |
| Rigid Style | | | | | |
| Product | Capacity | Height | Width | Length | Weight |
| 2.5-TMR | 2.5-tons | 3.60" / 92 mm | 6.13" / 156 mm | 9.31" / 237 mm | 28 lb / 13 kg |
| 5-TMR | 5-tons | 5.38" / 137 mm | 6.13" / 156 mm | 11.81" / 300 mm | 57 lb / 26 kg |
| 10-TMR | 10-tons | 5.88" / 150 mm | 6.13" / 156 mm | 13.31" / 338 mm | 70 lb / 32 kg |
| 20-TMR | 20-tons | 6.75" / 172 mm | 6.63" / 168 mm | 15.56" / 395 mm | 113 lb / 51 kg |



HILMAN INC.
12 Timber Lane
Marlboro, New Jersey 07746
USA
Phone: +1-732-462-6277
E-mail: sales@hilmanrollers.com
Website: www.hilmanrollers.com

ISO 9001